

JUNGLE GYM ADJUSTABLE CABLE

17093-01

Parts Manual

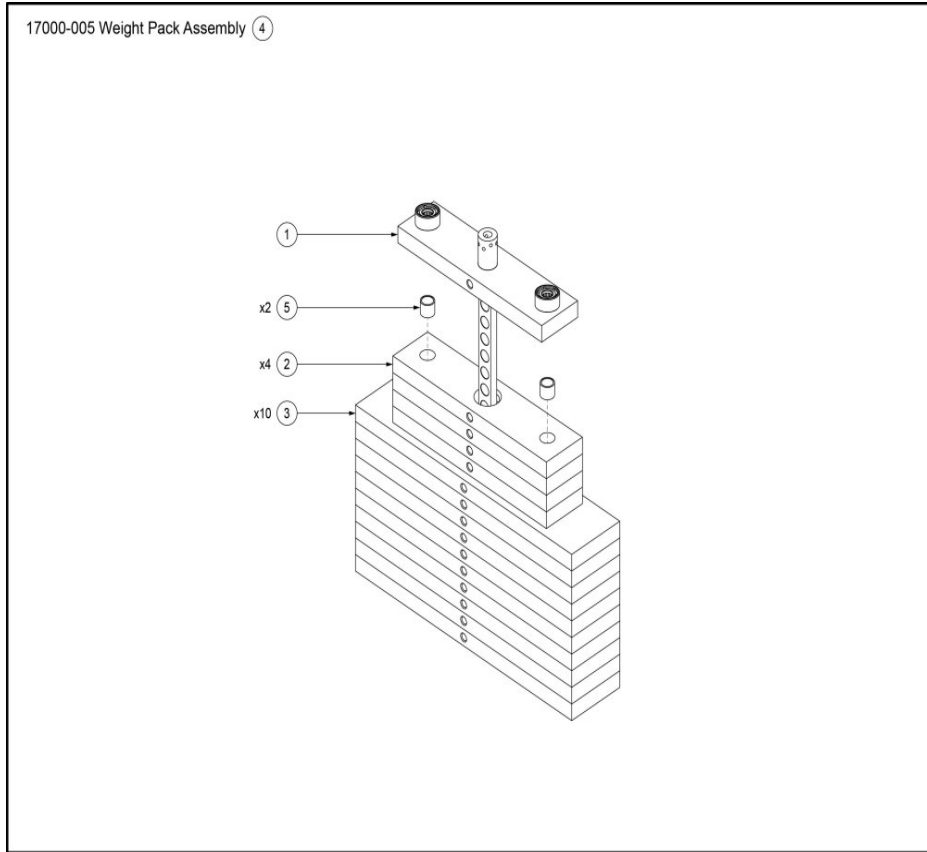
5/22/2021 8:41:16 AM



Table of Contents

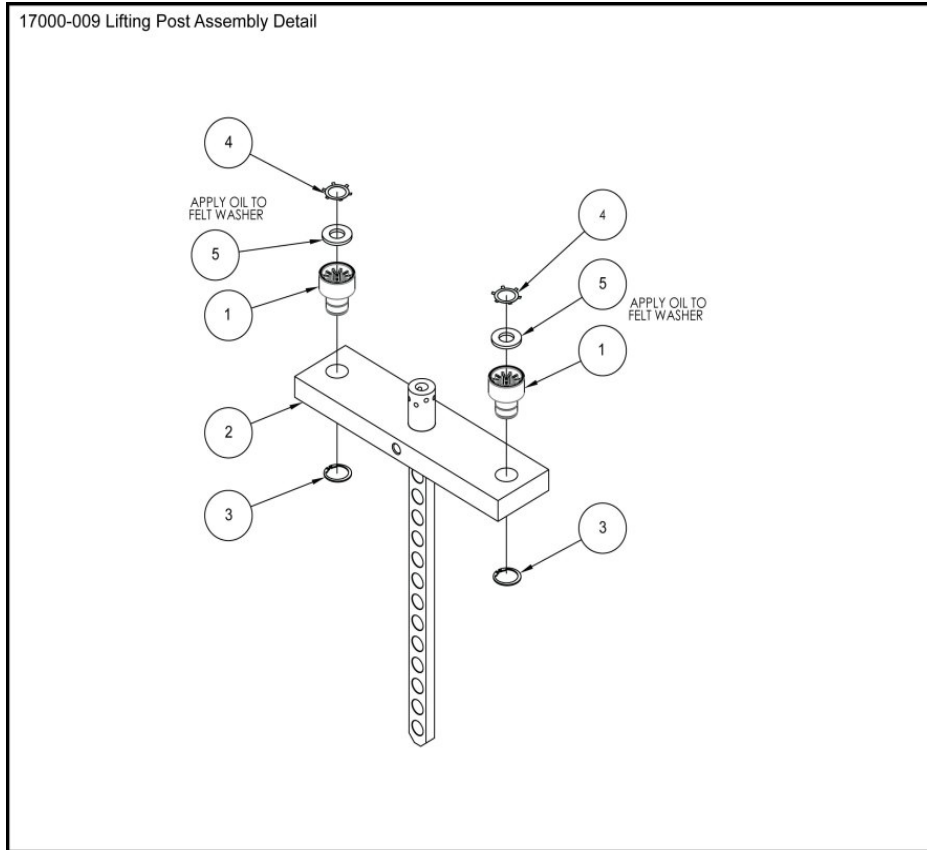
17000-005 Weight Stack	3
17000-009 Lifting Post	4
17093 Adjustable Cable	5
17093 Panel Assembly	7

17000-005 Weight Stack



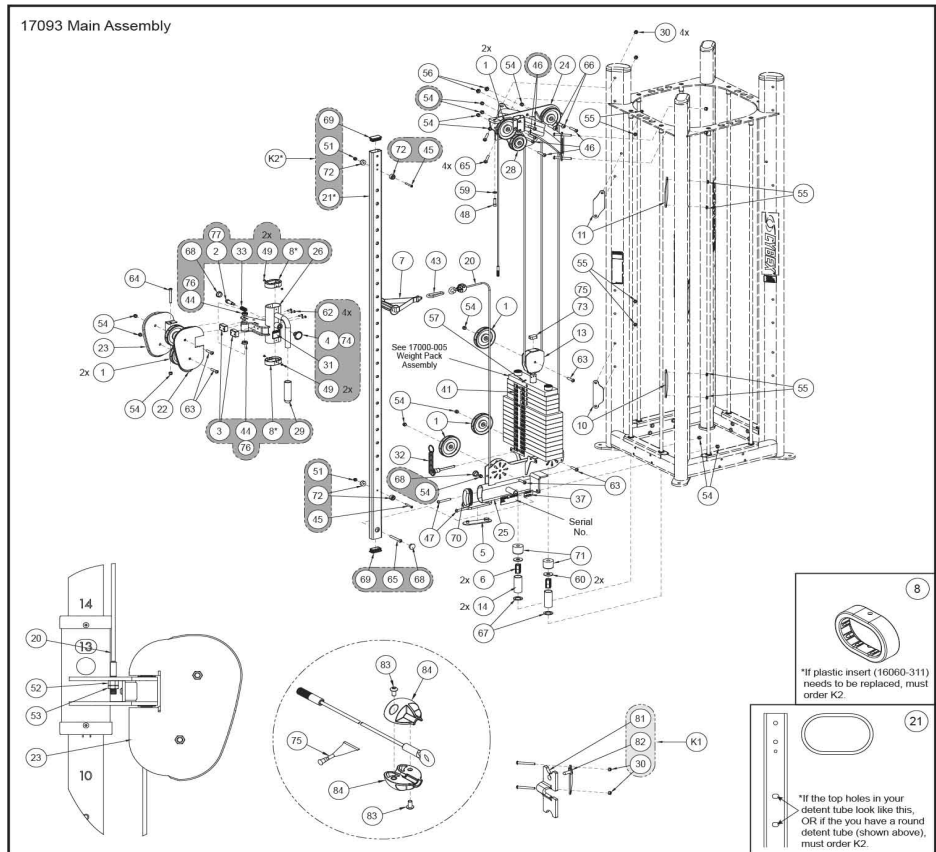
Ref #	Part Number	Qty	Description
1	17000-009	1	TOP WEIGHT ASSEMBLY 15, 3 X 12
2	4700-337	5	C Stack Weight 10 lbs exact
3	4700-338	13	C Stack Weight 15 lbs exact
4	17000-005	1	WEIGHT STACK ASSY 200 LBS
5	FB130216	2	Bushing Weight Stack

17000-009 Lifting Post



Ref #	Part Number	Qty	Description
1	13000-364	2	BEARING FLNG .62 ID X .92 OD X 1.75 LG
2	4700C070	1	C TOP WT 15-3X12
3	BR030206	2	RETAINING RING
4	BR030220	2	RETAINING RING 1.250 INTERNAL
5	HS720004	2	WASHER FELT .641 ID X 1.250 OD X .125 T

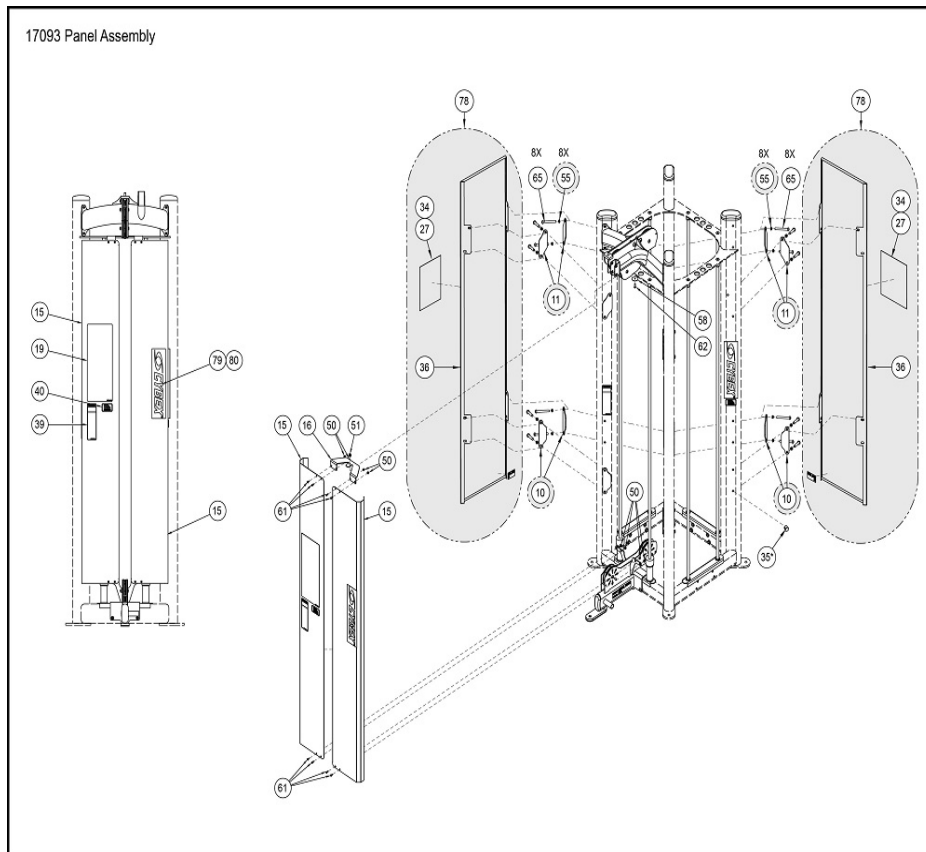
17093 Adjustable Cable



Ref #	Part Number	Qty	Description
1	08014	9	PULLEY ASSEMBLY-4.50
K1	17050K003	1	KIT, JUNGLE GYM INCREMENT WEIGHT
2	1006668-0001	1	PIN ASSEMBLY, DETENT
K2	1007879-0001	1	KIT: 17093 TAPERED DETENT PIN
3	11000-384	2	BLOCK STOP
4	11040-440	1	KNOB
5	12090-322	1	PAD FOOT
6	12210-352	2	INSERT PLASTIC
7	12220-005	1	Handle Assembly
8	16060-316	2	PLASTIC GUIDE
10	17000-330	2	PLATE Custom
11	17000-331	2	PLATE Custom
13	17050-203	1	W PULLEY TAB Custom
14	17090-331	2	SPACER TUBE
20	17091-002	2	CABLE ASSEMBLY
21	17091-324	2	DETENT TUBE
22	17091-349	1	SHIELD, ADJUSTING Custom
23	17091-350	3	BRACKET, ADJUSTING- Custom
24	17093-200	1	W TOP PULLEY MOUNT Custom
25	17093-201	1	W BOTTOM PULLEY MOUNT Custom
26	17093-202	1	W ADJUSTING HANDLE Custom
28	4400-354	1	PULLEY ASSEMBLY-3.50

Ref #	Part Number	Qty	Description
29	4800-700	1	GRIP 4.75 FOAM
30	HN704003	6	LOCKNUT, .375-16 NYLON PATCH
31	8500-025	1	DECAL CAUTION Custom
32	BH030207	1	PIN WEIGHT SELECTOR
33	BS070201	1	COM SPRING .56 ID X .66 OD X 1.50 LG
37	CM000260	11	DECAL, CAPACITY
41	DE000012	1	NLA: DECAL, WT PLATE (5-100)2;1
43	3250201	1	Snap Link 3/8" D
44	HB-60011	4	BEARING FLANGE 3-8IN.IDX1.0 OD
45	HC620431	1	BHSCS .250-20 X 2.00
46	HC700426	5	BHSCS .375-16 X 2.00
47	HC700432	2	BHSCS .375-16 X 2.75
48	HH702820	1	SHCS W/LOCKING PATCH .375-16 X 1.25
49	HM583208	4	SCREW,10-32X.25,TRHD PHIL
51	HN625200	3	LOCKNUT .250-20 NYLON HVY
52	HN704000	1	HEX NUT .375-16
53	HN704400	1	JAM NUT .375-16
54	HN704901	15	LOCKNUT .375-16 NYLON
55	HN704902	8	LOCKNUT NYLON .375-16
56	HN784901	3	Locknut .500-13 Nylon Thin
57	HP286819	1	SPIRAL PIN .188 X 1.12
59	HS347600	1	WASHER SAE .375
60	HS760106	1	WASH FLAT 1.750 .688 .140 T
62	JC620415	1	BHSCS .250-20 X .75
63	JC700424	5	BHSCS .375-16 X 1.75
64	JC700434	1	BHSCS .375-16 X 3.00
65	JC700436	9	BHSCS .375-16 X 3.25
66	JC780426	4	BHSCS .500-13 X 2.00
67	JS497600	1	WASHER 1.19 ID X 1.75 OD X .12 THK
68	PN660200	3	INSERT PLASTIC 1.00 DIA-11 GA
69	PP090217	3	INSERT, PLASTIC 1.25 X 2.25
70	PP130002	2	INSERT DOMED PLASTIC
71	PR060005	2	BUMPER WEIGHT
72	PR069400	2	BUMPER RECESS
73	PU060201	1	BUMPER
74	YA000201	1	ADH THRD LKR REM .02 OZ 242
75	YA000222	2	ADH BNDG CYANOACRYLATE
76	YA000226	2	LOCTITE 680 .5 ML
77	YG000002	2	NLA: Please use Lithium Grease
81	17001-340	1	C/ INCREMENT WEIGHT 3X12
82	17000-205	1	W INCREMENT WEIGHT MOUNT
83	HM580410	1	BHSCS .190-10-32 X .375
84	PP040004	1	BALL STOP

17093 Panel Assembly



Ref #	Part Number	Qty	Description
10	17000-330	4	PLATE Custom
11	17000-331	4	PLATE Custom
15	17090-340	5	SHROUD Custom
16	17090-341	2	MOUNTING PLATE
19	17090-598	1	PLACARD, ADJUSTABLE CABLE
27	3900-441	2	DECAL CYBEX VER BLACK
34	3900-442	2	DECAL CYBEX VER SILVER
35	PP080231	2	PLASTIC INSERT, .375 Caplugs Part # QDOP375Q1
36	17007-301	1	GUARD Custom
39	DE000001	1	Decal Warning Custom
40	DE000005	1	Decal Caution Custom
50	HN575100	9	LOCKNUT .190-NO 10-24
51	HN625200	2	LOCKNUT .250-20 NYLON HVY
55	HN704902	16	LOCKNUT NYLON .375-16
58	HS307608	1	WASHER .281 ID 1.50 OD .050
61	HX570412	8	BHSCS 10-24 X .50 SS
62	JC620415	1	BHSCS .250-20 X .75
65	JC700436	16	BHSCS .375-16 X 3.25
78	17007-001	2	BLANK STATION NARROW ASSEMBLY Custom
79	3900-447	2	DECAL CYBEX 1.94 HOR BLACK
80	3900-448	2	DECAL CYBEX 1.94 HOR SILVER

